

Bollegraaf



Bottle Perforator



Bollegraaf. Big in making recyclables small.

The Bottle Perforator: for Safe and Efficient Bottle Processing

Bollegraaf Recycling Machinery develops and manufactures machines for the international recycling industry. Their line of equipment consists of fully-automatic balers, shredders, conveyor belts, sorting installations, rotary trommels, reel splitters, cardboard separators and all the control systems for these machines. Bollegraaf delivers both individual machines and tailor-made systems. Leading edge technology, durable construction and client-oriented service have made Bollegraaf the industry leader.

Bottle Perforator

The Bollegraaf Bottle Perforator is designed to perforate plastic bottles (PET and HDPE) before these materials go into the baler. After perforation, these plastics can be compacted effectively into bales that are more homogeneous, dense and heavier. The perforated bottles protect bales from the risk of wires snapping due to rising pressure caused by the air bubbles left behind in the compacted material. With the Bottle Perforator, the air can now escape through the perforation holes.

During the compacting of non-perforated bottles, many still containing their caps, isolated air bubbles remain in the bale. When the temperature rises due to exposure to the sun, the pressure increases and then the wire ties around the bale may snap.

Spikes

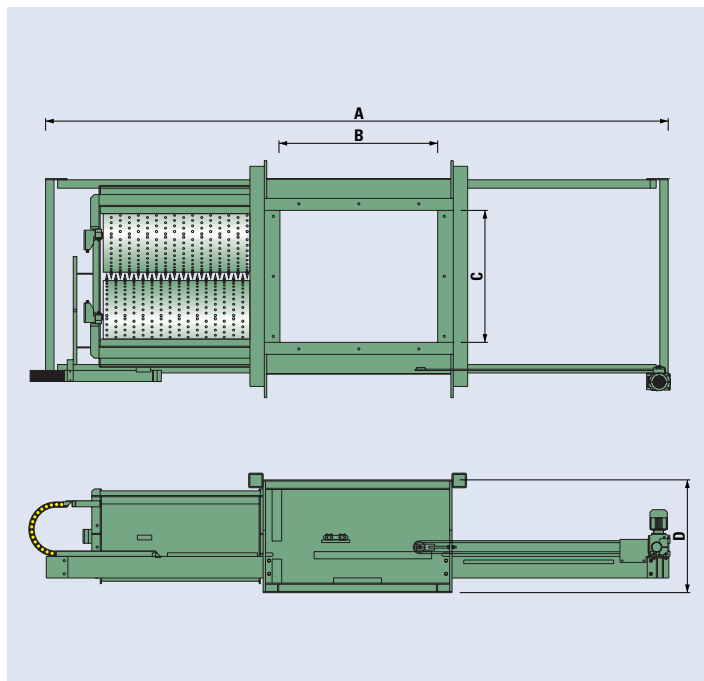
The Bottle Perforator consists of two cylinders rotating in opposite directions. The trommels have been fitted with numerous steel spikes that effectively perforate the plastic bottles. The easy-to-replace spikes are made of high tensile, hardened steel.

Option

The Bottle Perforator is simple to use. The system has been developed as an option for the HBC series of Bollegraaf balers, and with the aid of an electric motor, can be automatically moved into and out of any HBC baler.



▲
Bottle Perforator



*Subject to modifications

This brochure is offered to you by:

Technical Specifications

	HBC 60	HBC 80
Total length (A)	5,190 mm (17'1")	5,685 mm (18'8")
Filling width (B)	1,320 mm (4'4")	1,485 mm (4'10")
Filling depth (C)	1,100 mm (3'7")	1,100 mm (3'7")
Height (D)	940 mm (3'1")	940 mm (3'1")
Perforator motor	2x3 kW (2x4 HP)	2x3 kW (2x4 HP)
Drive motor	-	0.37 kW (0,5 HP)
	HBC 100/110/140/180	
Total length (A)	6,030 mm (19'10")	
Filling width (B)	1,600 mm (5'3")	
Filling depth (C)	1,100 mm (3'7")	
Height (D)	940 mm (3'1")	
Perforator motor	2x4 kW (2x5.5 HP)	
Drive motor	-	



Bollegraaf Recycling Machinery
Tweede Industrieweg 1, 9902 AM Appingedam
P.O. Box 321, 9900 AH Appingedam, The Netherlands
Tel. +31 (0)596 65 43 33, Fax +31 (0)596 62 53 90
info@bollegraaf.com, www.bollegraaf.com