

Bollegraaf



Confidential Shredder AS-series



Bollegraaf. Big in making recyclables small.

Effective Destruction of Heavy Paper Files

Bollegraaf confidential shredders can shred heavy paper files such as confidential documents, computer printouts, punch cards and entire files without any difficulty.



Heavy-Duty Design

The shredders are manufactured with an 20 mm (3/4") steel plate frame. Thanks to the sturdy construction, heavy loads can be easily processed.

Flexible Hammers

The rotor is equipped with high-alloy steel hammers which pivot, making motor seizure virtually impossible. The escape feature of the hammers ensures that there are no excessive loads in the shredder. The high quality steel ensures a long service life.

Variable Fraction Size

The Bollegraaf shredders are equipped with two screens which hydraulically pivot in and out. When both screens are in operation the shredder guarantees a maximum degree of document destruction; the material leaves the machine only when the required fraction size has been achieved. Adjusting off the screens will greatly increase shredder capacity.

Automatic Control

The material is fed by conveyor and, once destroyed, can be removed by an air extraction system or another conveyor. Bollegraaf automatic control systems stop the feed to the machines in case of overloading. The feed is automatically resumed as soon as sufficient material is removed.

Low Maintenance

Due to its spherical roller bearings minimal servicing is necessary. A fluid coupling is situated between the drive motor and the rotor reducing starting currents and absorbing peak loads. This considerably reduces energy costs.

Several Versions to Choose From

The Bollegraaf AS-series of shredder is available in four capacities: 75 HP, 100 HP, 150 HP and 275 HP, with feed widths of 850 mm (2'9"), 1,250 mm (4'1") and 1,650 mm (5'5").



▲ Action principle of the optional container loading facility.



▲ Tailor-made work of a high standard. The high-quality machines are designed by our specialists using an extensive network of CAD stations. The steel plate parts are flame cut by a CNC-controlled flame cutting machine. The combination of know-how and technological skills produces high standard tailor-made work.

AS

Three Options for Specific Requirements

Conveyors

The shredder can be equipped with various types of chain and belt conveyors for material feed and discharge.

Soundproof Enclosure

The noise level of the shredder is substantially reduced by the soundproof enclosure.

Extraction Unit

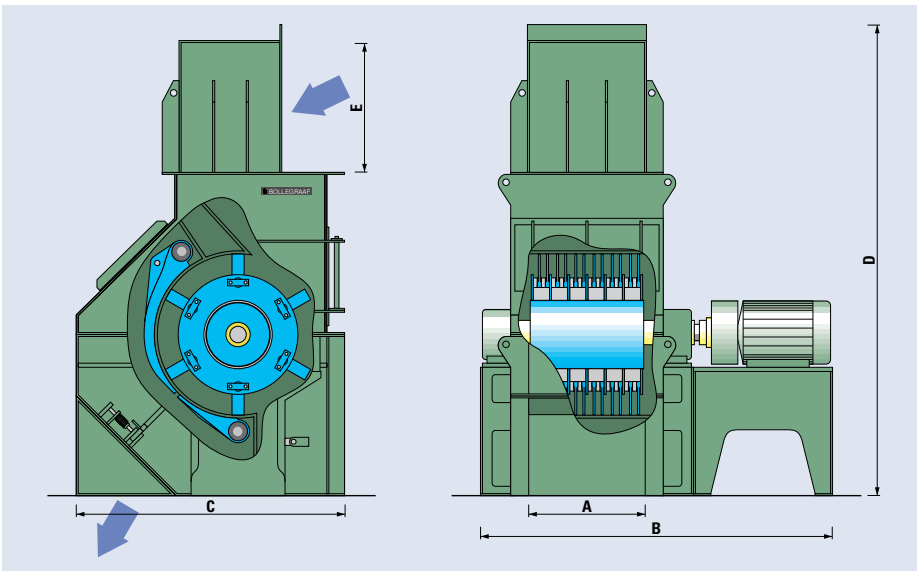
The shredder can be equipped with an extraction unit for removing minute paper particles, air and dust. The air is first filtered before being discharged into or outside of the building. This system ensures that the material is optimally separated for further processing or transport.

Dimensions

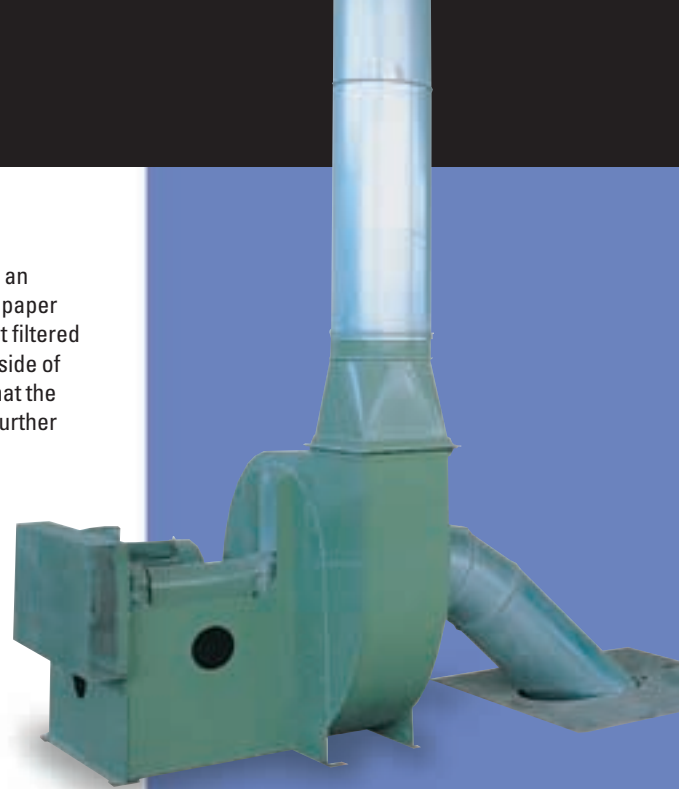
	AS 55/850	AS 75/850	AS 110/1250	AS 200/1650
A	850 mm (2'9")	850 mm (2'9")	1,250 mm (4'1")	1,650 mm (5'5")
B	2,670 mm (8'9")	2,760 mm (9')	3,420 mm (11'3")	3,920 mm (12'10")
C	2,040 mm (6'8")	2,040 mm (6'8")	2,040 mm (6'8")	2,040 mm (6'8")
D	3,565 mm (11'8")	3,565 mm (11'8")	3,565 mm (11'8")	3,565 mm (11'8")
E	1,000 mm (3'3")	1,000 mm (3'3")	1,000 mm (3'3")	1,000 mm (3'3")

Technical Specifications

	AS 55/850	AS 75/850	AS 110/1250	AS 200/1650
Feed width	850 mm (2'9")	850 mm (2'9")	1,250 mm (4'1")	1,650 mm (5'5")
Motor	55 kW (75 HP)	75 kW (100 HP)	110 kW (150 HP)	200 kW (275 HP)
Fluid coupling	'Fludex'	'Fludex'	'Fludex'	'Fludex'
Capacity	max. 1,500 kg/hr. for fine shredding, max. 4,000 kg/hr. for coarse shredding	max. 2,000 kg/hr. for fine shredding, max. 7,000 kg/hr. for coarse shredding	max. 3,000 kg/hr. for fine shredding, max. 10,000 kg/hr. for coarse shredding	max. 5,500 kg/hr. for fine shredding, max. 16,000 kg/hr. for coarse shredding
Ultrascreen	2 pivoting screens	2 pivoting screens	2 pivoting screens	2 pivoting screens
Weight	6,000 kg	6,200 kg	8,500 kg	11,500 kg



*Subject to modifications



▲ Extraction unit with air filter system.

▼ Extraction unit with air filter system.



This brochure is offered to you by:



Bollegraaf Recycling Machinery
 Tweede Industrieweg 1, 9902 AM Appingedam
 P.O. Box 321, 9900 AH Appingedam, The Netherlands
 Tel. +31 (0)596 65 43 33, Fax +31 (0)596 62 53 90
 info@bollegraaf.com, www.bollegraaf.com