

# Bollegraaf



***RotoPack 600***



**Bollegraaf. Big in making recyclables small.**

# The RotoPack 600 increases your performance by reducing bulky material

**Bollegraaf supplies, among other things, the RotoPack 600. The RotoPack 600 is a compact and powerful container press for the efficient compressing of bulky material. The RotoPack 600 has a solid construction and is made of high-grade sheet steel. Its construction, combined with the technology used, guarantees a long life span without any problems.**

## High degree of compacting

The RotoPack 600 is suitable for processing many different materials, such as paper, cardboard, plastic, domestic refuse, hazardous waste and many others. An ingenious screw system ensures a high degree of compaction. With the material compacted, a container can be used to the best of its advantage. Transportation costs are therefore minimal. The RotoPack 600 is also provided with moisture removal.

## Wide range of applications

The RotoPack 600 can be used on any conventional container. Depending on the intended use, it can be equipped with various, specific

accessories. The RotoPack 600 is simple to install on a flat floor. Any container can be connected to it by means of a 650 mm (2'2") cross section. A practical option is to set up the RotoPack 600 inside and the container outside.

## Reliable and profitable

The well designed RotoPack 600 guarantees optimum reliability. The simple construction means that the press is almost completely insensitive to disturbances. This results in attractively low maintenance costs and low power consumption.

## Cost efficiency

The RotoPack 600 proves itself daily as a profitable investment for businesses that have a regular flow of bulky waste, such as printing works, supermarkets, hotels, auctions, camping sites, and domestic refuse collectors. By compacting waste with the RotoPack 600, transportation costs are considerably reduced.



## Real price-performance ratio

With almost 40 years of experience, Bollegraaf stands for top quality. The wide range of applications, the operating reliability and the utilization of the machine are just some of its most favorable characteristics. In addition, this is backed by competitive pricing, as well as modern and efficient production facilities.

## RotoPack 600 tailor-made to your requirements

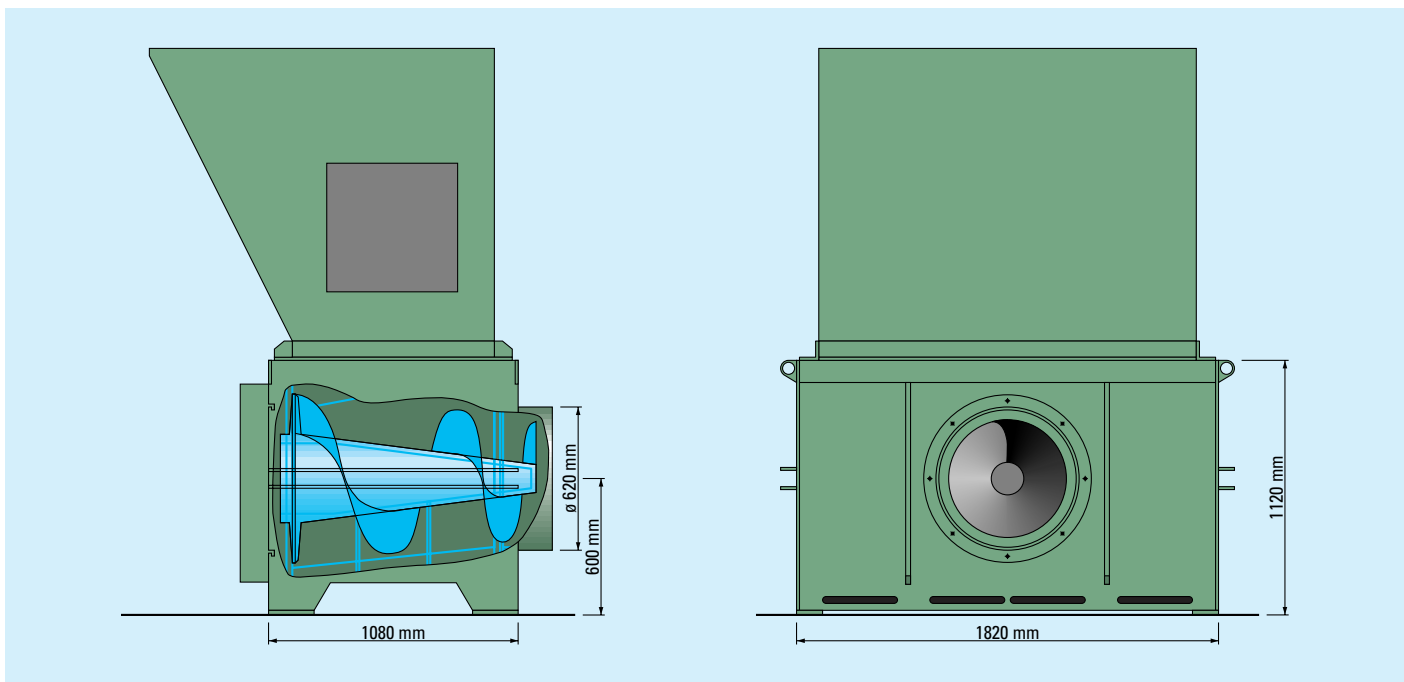
Bollegraaf has developed various tailor-made options to custom fit your specific RotoPack 600. Some of the options are as follows:

- filling hoppers for manual introduction, conveyor belt or pneumatic conveyor;
- visual or audible signaling system that gives a warning when the container is almost full;
- photocell control for starting RotoPack 600 automatically when material is introduced.

### Technical Specifications

	<b>RotoPack 600</b>
Motor	7.5 kW
Length	1,200 mm (3'11")
Width	2,100 mm (6'11")
Height (without filling hopper)	1,120 mm (3'8")
Min. filling height (from the floor)	1,176 mm (3'10")
Width of filling opening	800 mm (2'7")
Length of filling opening	1,700 mm (5'7")
Weight	3,000 kg (6'600 lbs)

\*Subject to modifications



This brochure is offered to you by:



**Bollegraaf Recycling Machinery**  
Tweede Industrieweg 1, 9902 AM Appingedam  
Postbus 321, 9900 AH Appingedam, the Netherlands  
tel. +31 (0)596 65 43 33, fax +31 (0)596 62 53 90  
e-mail info@bollegraaf.com, internet www.bollegraaf.com