

# Bollegraaf



***RotoScreen***



**Bollegraaf. Big in making recyclables small.**

# The RotoScreen Gives your Sorting Facilities a Better Turn

The Bollegraaf RotoScreen is a sorting drum as practical as it is ingenious for screening waste components. The RotoScreen is distinguished by its extremely sound (steel)structure and is made of high-quality materials. That, combined with the technology applied, guarantees optimal durability and reliability.

## Replaceable Screens

The RotoScreen is available in four basic versions in terms of length and drum diameter. Each version can be matched to the required application due, among other things, to the choice in screen size. Screws allow rapid replacement of the screens.

## Wide Range of Applications

The flexible concept gives the RotoScreen a wide range of applications. The machine can be used for sorting industrial and domestic waste, waste paper, steel slag, construction and demolition waste, timber fragments and other materials.

## Reliable (Power Transmission) Engineering

The reliability of the RotoScreen is anchored in its high-quality engineering. The drive using Vulcalon wheels (whereby two geared motors drive the vulcanized wheels) ensures uncomplicated operation of the machine. The frequency control - the TurnoMatic - means the speed can be varied as required.

## Easy to Accommodate

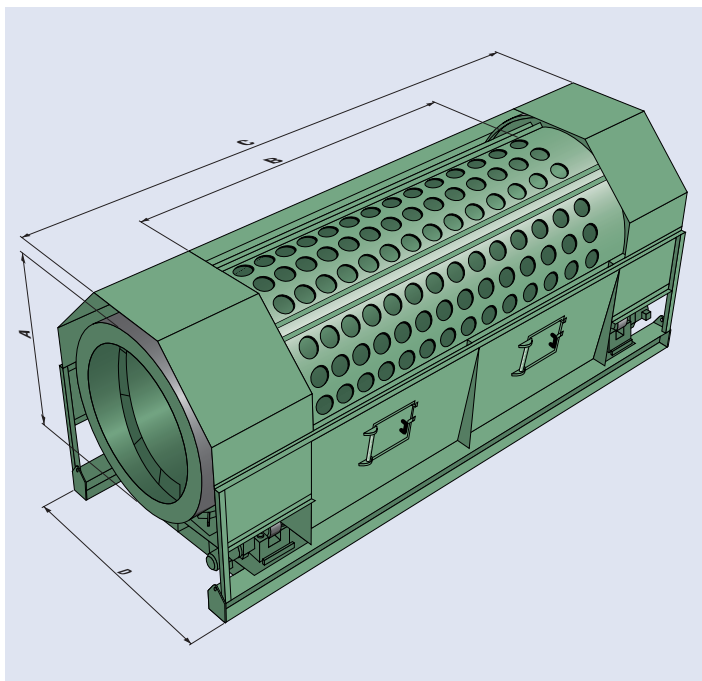
The RotoScreen is easy to incorporate in the supply to sorting systems. And of course Bollegraaf also provides completely new sorting systems based on RotoScreen - from the initial design through to conveyors for material supply and removal.

## Realistic Price-Performance Ratio

With over 35 years of experience Bollegraaf Recycling Machinery stands for top-quality including the related service. The wide range of applications, the reliability, availability and user-convenience are major advantages. And this is also matched by competitive pricing due in part to modern, efficient manufacturing facilities.



▲  
RotoScreen



\*Other dimensions available on request

This brochure is offered to you by:

## Technical Specifications

	RotoScreen 1800	RotoScreen 2100
<b>Drum diameter (A)</b>	1,800 mm (5'10")	2,100 mm (6'11")
<b>Real screen length (B)</b>	3,750 mm (12'3")	5,500 mm (18')
<b>Built-in length (C)</b>	5,100 mm (16'9")	7,000 mm (23')
<b>Built-in width (D)</b>	2,500 mm (8'2")	2,800 mm (9'2")
<b>Weight</b>	12.5 ton	16 ton
<b>Motor</b>	2x4 kW (2x5.5 HP)	2x5.5 kW (2x7.5 HP)
<b>Drum speed</b>	adjustable	adjustable
	RotoScreen 2500	RotoScreen 3000
<b>Drum diameter (A)</b>	2,500 mm (8'2")	3,000 mm (9'10")
<b>Real screen length (B)</b>	6,200 mm (20'4")	6,200 mm (20'4")
<b>Built-in length (C)</b>	8,200 mm (26'11")	8,200 mm (26'11")
<b>Built-in width (D)</b>	3,200 mm (10'6")	3,700 mm (12'2")
<b>Weight</b>	19 ton	23 ton
<b>Motor</b>	2x5.5 kW (2x7.5 HP)	2x7.5 kW (2x10 HP)
<b>Drum speed</b>	adjustable	adjustable



**Bollegraaf Recycling Machinery**  
Tweede Industrieweg 1, 9902 AM Appingedam  
P.O. Box 321, 9900 AH Appingedam, The Netherlands  
Tel. +31 (0)596 65 43 33, Fax +31 (0)596 62 53 90  
info@bollegraaf.com, www.bollegraaf.com